

Bench for 2

Materials:

- Birch
- Used wood material

Hardware:

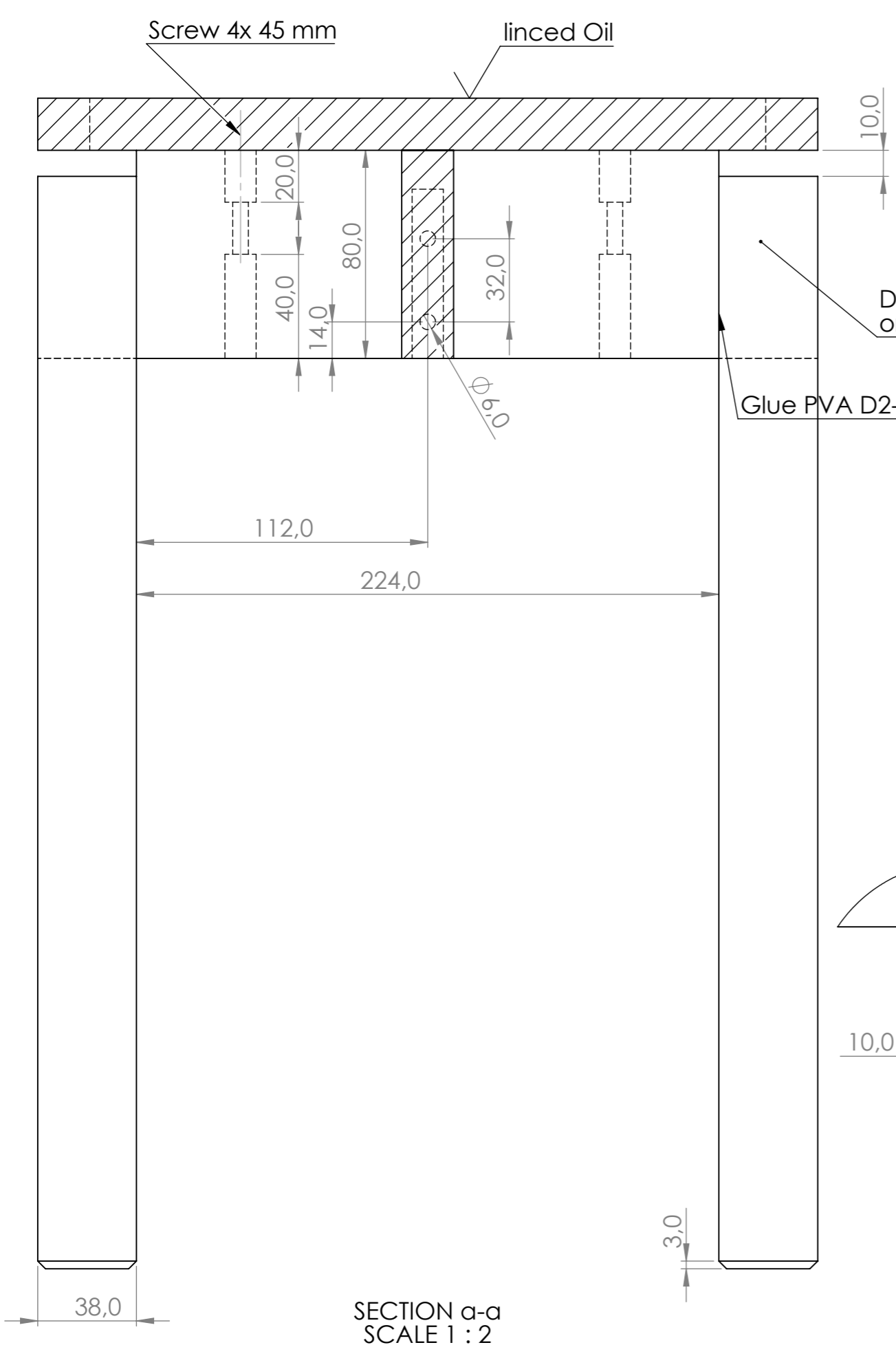
- Cross barrel dovel dobbel $\varnothing 10 \times 60$, M6 x 2
- Connectot bolts flat head 60 mm M6 x 4
- Screw 4 x 45 mm x 4

Glue

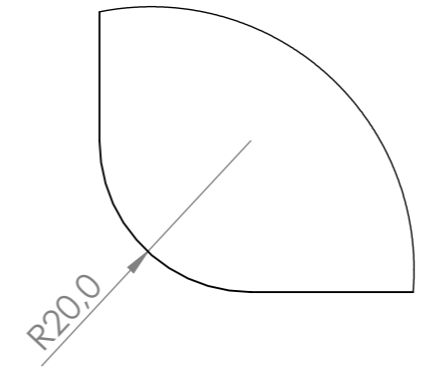
- D2-D4 PVA

Surface

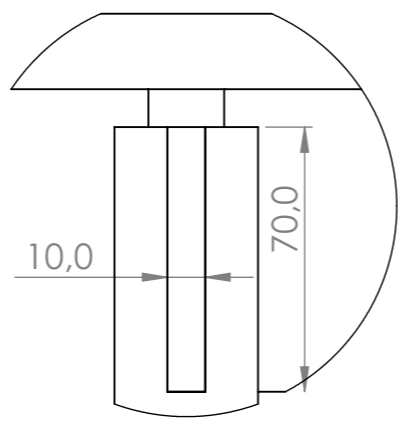
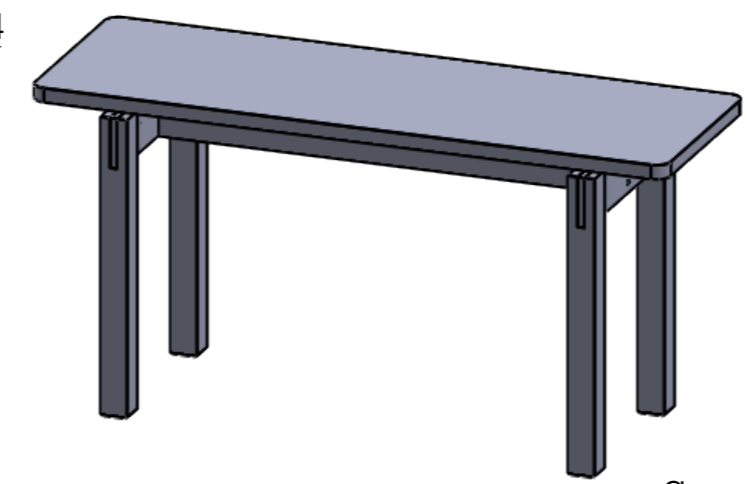
- Lincd oil
- Soap
- Laquer
- Paint



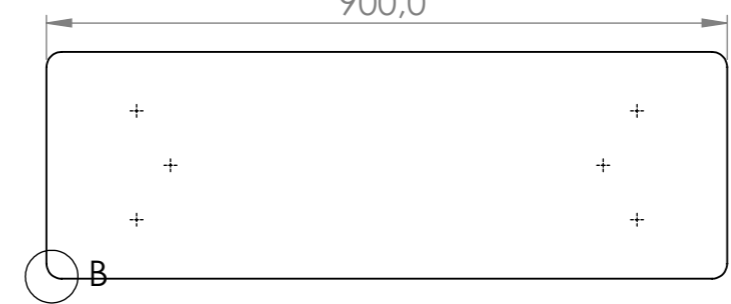
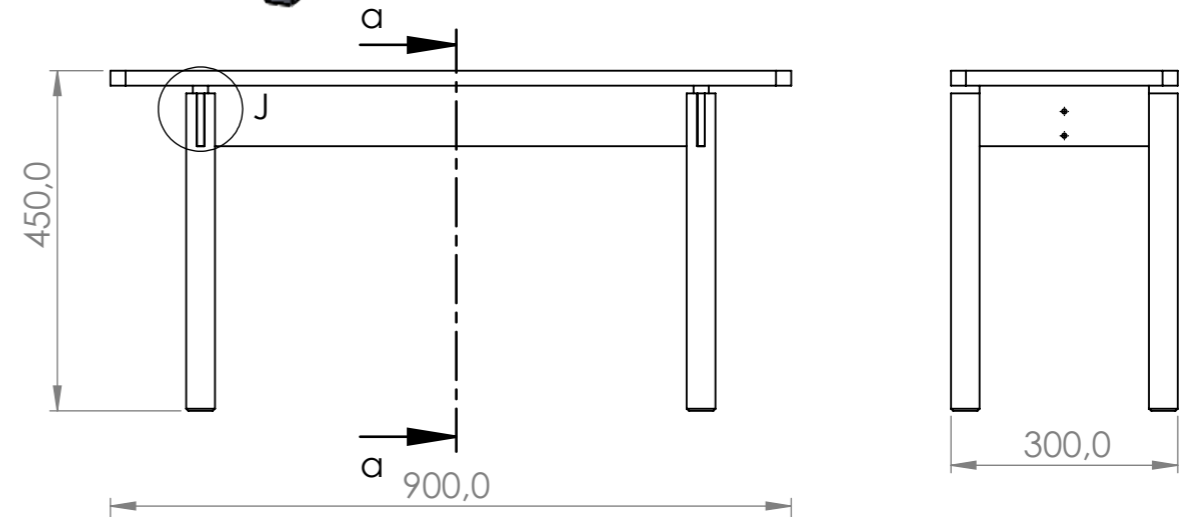
SECTION a-a
SCALE 1 : 2



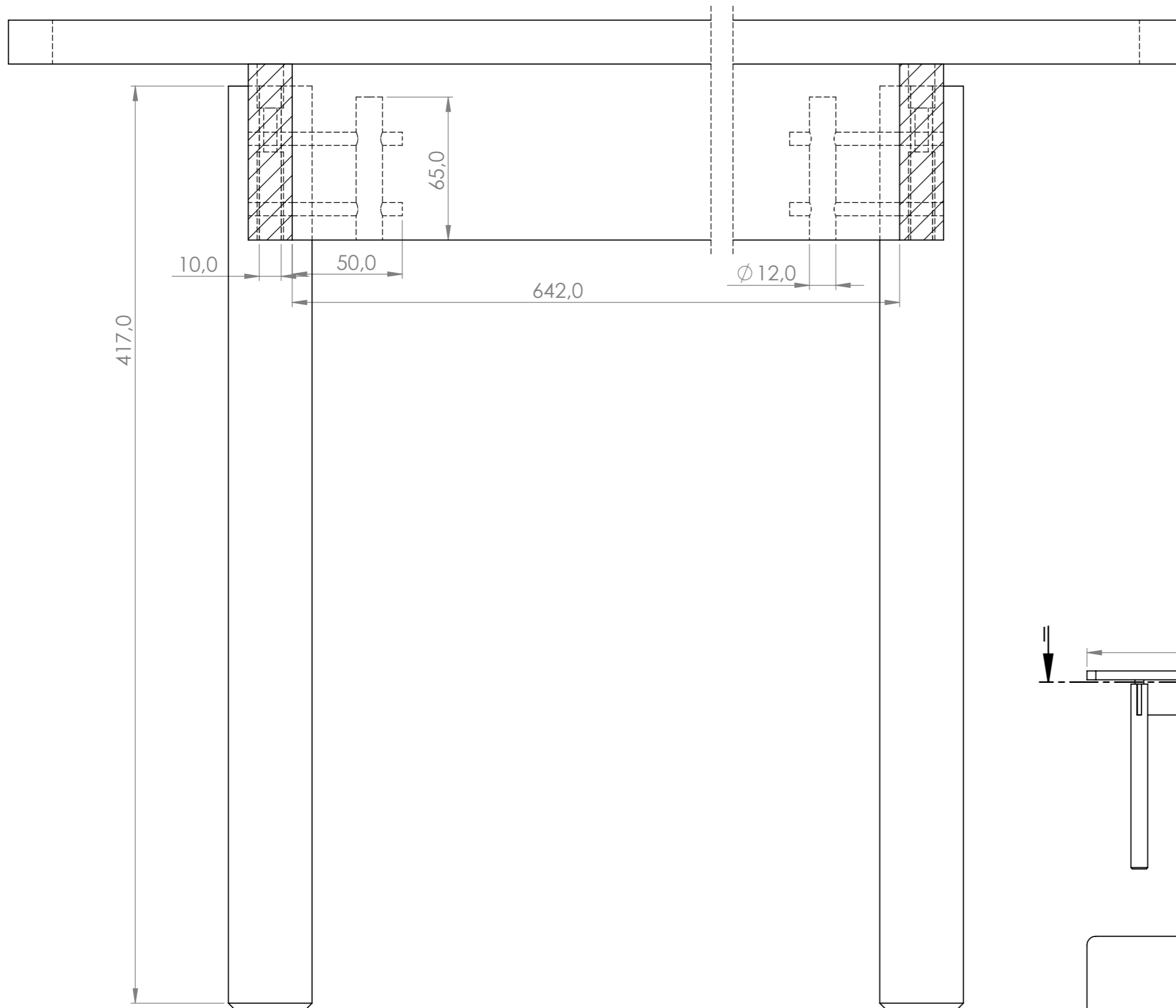
DETAIL B
SCALE 1 : 1



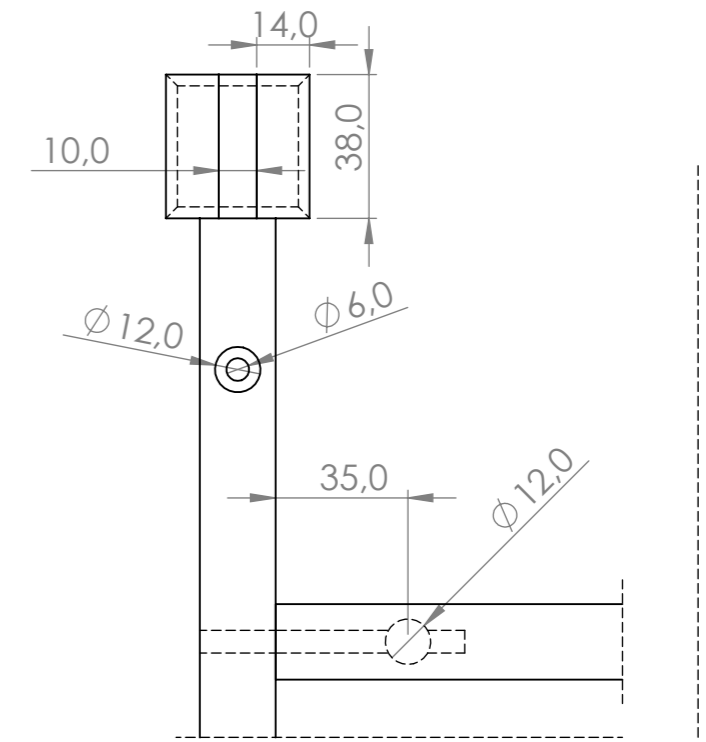
DETAIL J
SCALE 1 : 2



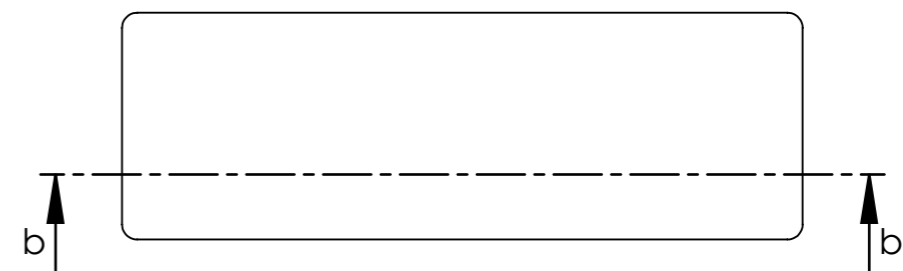
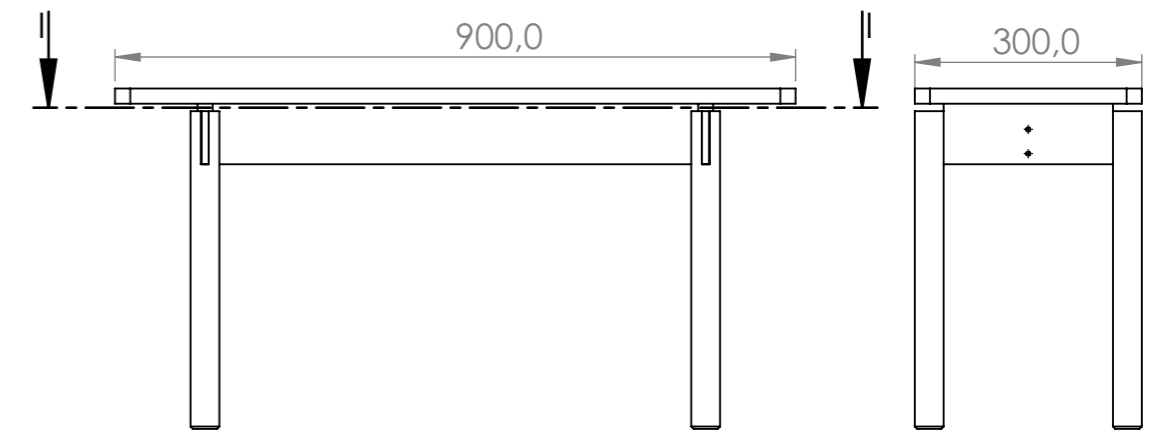
Tampere bench 2	ver. 1
	1 of 2
25-10-2023	



SECTION b-b
SCALE 1 : 2



SECTION I-I
SCALE 1 : 2



Tampere bench 2	ver. 1
	2 of 2
	25-10-2023